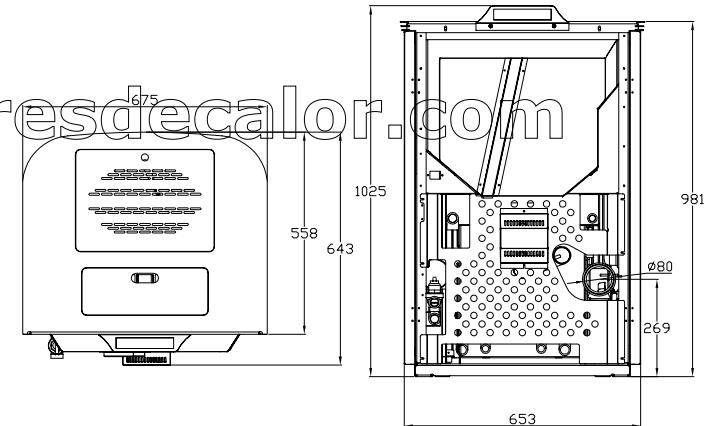




 **ECOFORREST**



- BURDEOS 
- BEIGE 
- ANTRACITA 



HIDROCOPPER MINI AGUA

Potencia / Potenza / Potência / Puissance / Power: 16 kw
Rendimento / Rendimento / Rendement / Efficiency: 91%
Tolva / Tramoggia / Tolva / Reservoir / Tank: 30 kg
Consumo / Consommation / Consumption: 1100-3800 gr/h
Peso / Peso / Peso / Poids / Weight: 154 kg
Medidas / Misuri / Dimension / Measures: 675x643x981 mm