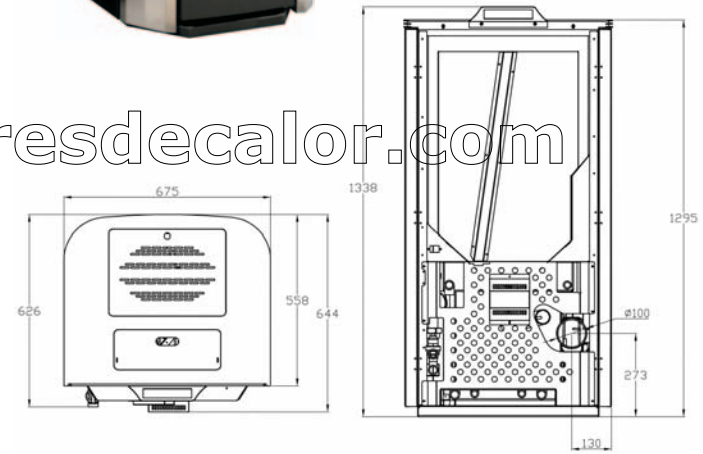




- BURDEOS
- BEIGE
- CERA



HIDROCOPPER SUPER AGUA



Potencia / Potenza / Potência / Puissance / Power: 29 kw
 Rendimiento / Rendimento / Rendement / Efficiency: 91%
 Tolva / Tramoggia / Tolva / Reservoir / Tank: 60 kg
 Consumo / Consommation / Consumption: 1400-6200 gr/h
 Peso / Peso / Peso / Poids / Weight: 215 kg
 Medidas / Misuri / Dimension / Measures: 675x644x1295 mm

<http://www.lojadosrecuperadoresdecalor.com>