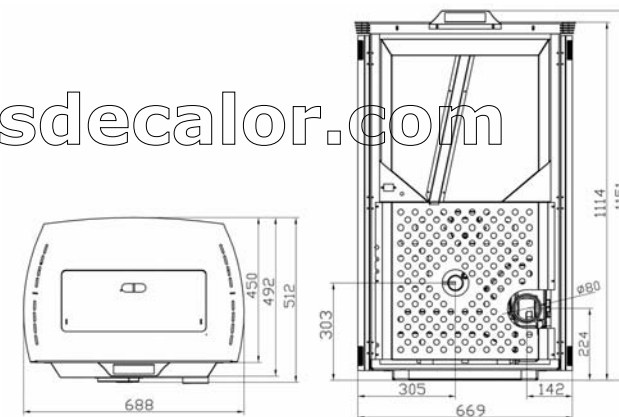




<http://www.lojadosrecuperadoresdecalor.com>



BURDEOS ■
 ANTRACITA ■



TURBO AIRE AIRE

Potencia / Potenza / Potência / Puissance / Power: 20 kw
 Rendimiento / Rendimento / Rendement / Efficiency: 90%
 Tolva / Tramoggia / Tolva / Reservoir / Tank: 40 kg
 Consumo / Consommation / Consumption: 900-4100 gr/h
 Peso / Peso / Peso / Poids / Weight: 149 kg
 Medidas / Misuri / Dimension / Measures: 688x492x1114 mm